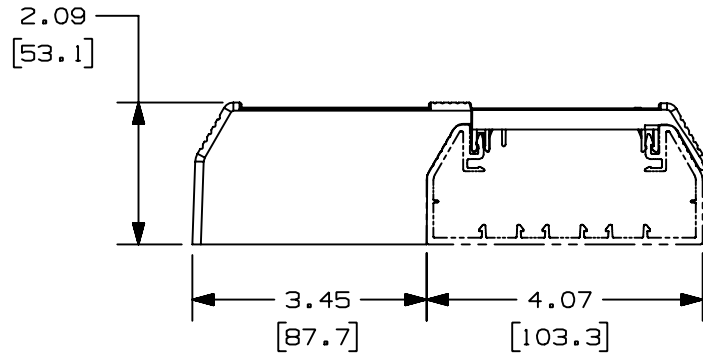
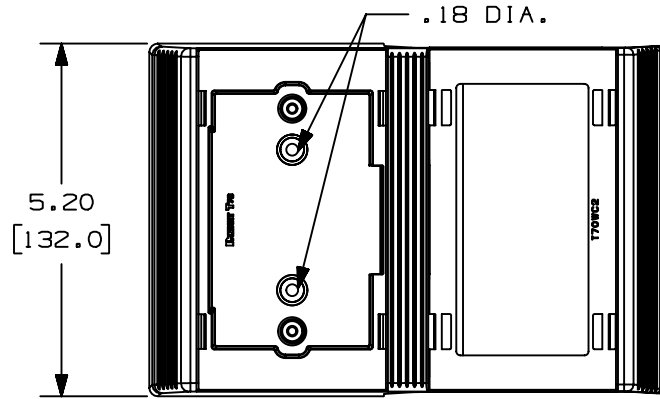
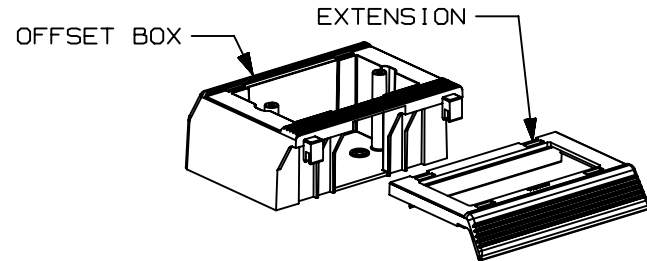




THIS COPY IS PROVIDED ON A RESTRICTED BASIS AND IS NOT TO BE USED IN ANY WAY DETRIMENTAL TO THE INTERESTS OF PANDUIT CORP.



PANDUIT P/N	WEIGHT
T70WC2	3.9 LB/10 PCS (1780 g/10 PCS)

- NOTES:
- SEE CURRENT CATALOG FOR ADDITIONAL PART SUFFIXES TO INDICATE COLOR AND OR PACKAGE QUANTITY.
 - ACCEPTS PANDUIT SNAP-ON TYPE FACEPLATES.
 - DIMENSIONS IN PARENTHESIS ARE IN METRIC.



 CAD FILENAME/LAYERS D36022CZ_DC_T70WC2_02.PRT	
PANDUIT CORP. TINLEY PARK, ILLINOIS T70 WORKSTATION OUTLET CENTER FOR SNAP-ON FACEPLATES (T70WC2) CUSTOMER DRAWING	
UNLESS OTHERWISE SPECIFIED, DIMENSIONAL TOLERANCES ARE: (.X) ± (.XXX) ± (.XX) ±.03 (.8) ANGLES ±	
UNLESS OTHERWISE SPECIFIED, ALL DIMENSIONS ARE GIVEN IN INCHES, THIRD ANGLE PROJECTION.	
2 03-18-04 JHEP RGRO B. REVISED TITLE DESCRIPTION 36022-24 RGRO RGRO	DRAWN BY DW DATE 04-16-98 CHECKED BY HIW
1 03-17-99 DW HIW A. MATERIAL WAS ABS/PC. 36022-24 HIW HIW	MAT'L: PVC 
R 04-16-98 DW HIW RELEASED TO PRODUCTION 36022-24 HIW HIW	SCALE NONE DRAWING NO. 36022-24 DWG SIZE A
REV DATE BY CHK DESCRIPTION ECN CHK CUST SUP	